

高安全型抗金属超高频篡改可侦测RFID铅封标签

Standard
标准

High Security Tamper Detection Sensor Wire Seal RFID SEAL Tag



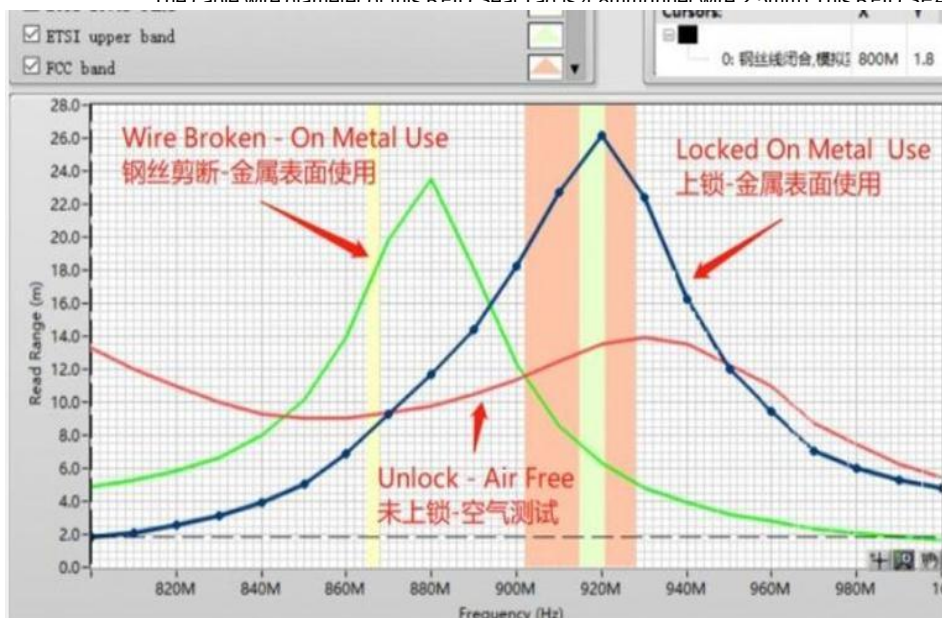
基本参数/Basic Parameters

| | |
|---------------------------|--|
| 尺寸/Size (L/OD x W/ID x H) | 421*50*19mm(ID/OD:圆形标签内径/外径,ID/OD:inner/outer diameter of round tags) |
| 面材封装/FaceStock or Housing | 塑料外壳+镀锌钢丝/ABS Plastic Housing + Galvanized Steel Wire Cable |
| 安装方法/Installation | 悬挂/Hanging Style |
| 天线工艺/Antenna Type | 铝天线/Aluminum Antenna |
| 技术/Technology | 空间耦合技术/Air Space Reflection Solution |
| 离型纸/Backing Liner | 无/None |
| 特征/Characters | 防伪(Tamper Proof)/防水(Water Proof IP66)/抗金属(On Metal Use)/侦测(Detection Sensor) |

产品特性/Product Feature

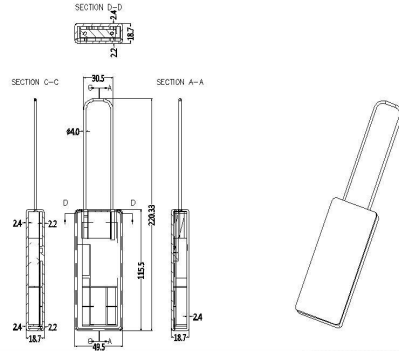
| | |
|--------------------------|--|
| 芯片/Chip Model | CAB1/VBL7-NC |
| 协议/Protocol | ISO18000-6C GEN2 V2 |
| 频率范围/Operating Frequency | 902-928Mhz |
| 内存/Memory | TID/UID 112bit+ EPC/Block 192bit+ User File_0 with 512bit+ Reserve 112bit |
| 读距/Reading Range | 1500cm (depends on reader) |
| 应用介质/Applicable Surface | 空气(Air-free)/金属(On metal) |
| 个性化选项/Option | 定制彩色印刷条码文本或个性化编码Custom color printing(Embossing or laser-engraving) with barcode or text & personalization encoding |
| 附加说明/Additional | Battery Life: Embeded 165mAH Coin Battery will support a maxium life of 12months counted from the moment of wire seal LOCKED 电池寿命: 从铅封上锁的时刻算起, 内置165mAH纽扣电池可以支持连续使用12月 |

The cable wire diameter of this RFID Seal Tag is 4.8mm(Inner wire 2.5mm) This RFID SEAL TAG is required



供货方式/Delivery & Supply Format

单片/单个/单张供货每袋50-200片/张(特殊要求见附加说明) Supply in piece or sheet with 50-200pcs per box(Check Additional Note for your specific request)



应用场景/Application

铅封标签(硬标)可广泛应用于物流中转箱封口, 产品封口保护, 包装箱封, 集装箱、货架、设备仪器标识、医疗器械登记、固定工业资产、模具治具、零配件、化学药品、农副食品、动物管理领域, 以实现产品的标识、跟踪、及溯源查询或监管, 包括物流供应链、数字化仓储、溯源监管, 以及相关涉密物品或涉隐私产品的封箱运输等。Hard electronic seal tag mainly used for sealing package of boxes, product seal protection, sealing for such as containers, components, industry spare parts, mould tooling, spare parts, chemical, pesticide, food, animal and so on with products identification, tracking including supervision management, logistics supply chain, digital warehousing, source traceability, even more sealing for related security items and confidential goods for the person.



环境参数/Environmental Parameter

| | |
|----------------------------|------------------------------|
| 数据保存/Data EEPROM Retention | 10years |
| 静电保护/ESD Limited Voltage | 2KV |
| 工作温度/Operating Temperature | -35°C - 85°C |
| 储存温度/Storage Temperature | 0°C - 25°C |
| 操作湿度/Relative Humidity | 10%-95%(Variant Performance) |

声明/STATEMENT

上述数据是基于本公司对产品特性的一般了解, 仅供一般信息参考。客户购买本产品时应在实际应用条件下测试结果来自行决定是否适用。英诺尔向购买者保证其产品在材料和工艺上没有不良。The above data is based on our company general understanding of the product attribute, is just for general reference. Buyer should evaluate product under the condition of practical application to decide whether it is suitable for your application. XMinnov guarantee their products to the buyers that there is no defect on product material and fabrication.

批准 Approved By: 林阿霞
日期 Date: 2024/01/02

制作审核 Prepared & Checked By: 林阿霞
日期 Date: 2024/01/02